

# SWIT®

## LED Panel Lights S-2110DA / S-2110DS

Ver:A

# USER MANUAL

## SWIT Electronics Co.,Ltd.

Tel:+86-25-85805753  
Fax:+86-25-85805296  
http://www.swit.cc  
E-mail: contact@swit.cc

Thank you for choosing SWIT products. Please read the instructions before using, and keep it for future reference.

### Characteristics

- ◆ 576pcs of ultra bright LEDs, 50,000hrs long life time
- ◆ Max luminance: 3400Lux at 1m distance; 10%-100% flick-free dimming
- ◆ 5600K daylight output, 3200K output with filter
- ◆ LCD touch screen, display and adjust brightness dimming
- ◆ Power with V-lock battery (S-2110DS)/Gold mount battery (S-2110DA), or AC-DC adapter
- ◆ Heat-free technology and constant current circuit design ensure consistent, stable, and accurate light output in various environments
- ◆ Designed for professional videography and photography

### Cautions

1. Never disassemble the light or touch its inside with metal objects to avoid damage.
2. Never solder the LED bulbs by non-professionals
3. Never block the louvers, otherwise LED lighting effect and lifetime will be greatly reduced
4. Only use the provided adapter to avoid damage.
5. Never crash the LED touch screen with great force to avoid damage.
6. Only use the light in the temperature range of -10°C~40°C.

### Specifications

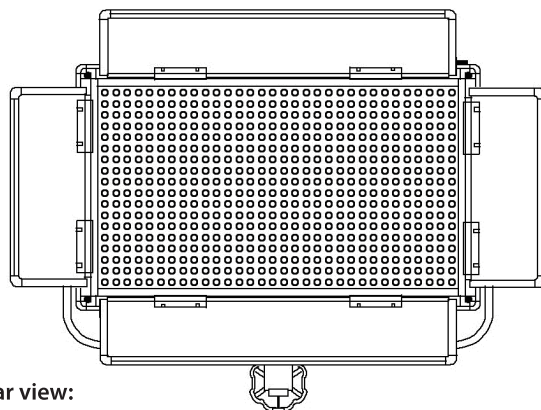
MODEL	S-2110DA	S-2110DS
LED	576pcs of ultra bright LEDs	
Luminance	Approx. 2200lux @1m (3200K) Approx. 3400lux@1m (5600K)	
Beam angle	60°	
CRI	95	
Color temperature	5600K or 3200K with filter	
Power	≤40W	
Working voltage	DC 11-17V, 4-pin XLR socket	
External power	V-mount plate	Gold mount plate
Dimension	403(W)×300(H)×95(D)mm	
Weight	1.9kg	

### Packing List

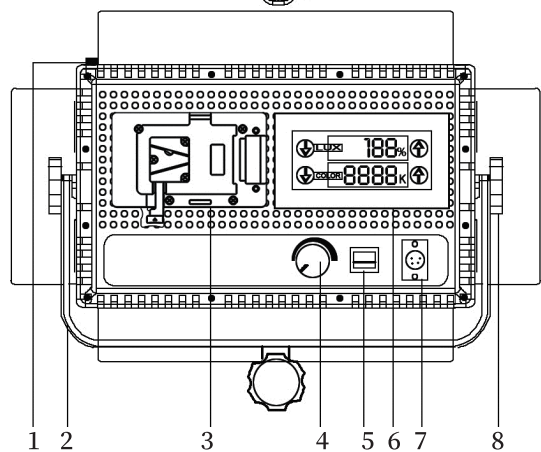
	Packing details	Quantity
1	S-2110DA/S-2110DS	× 1
2	Diffuser	× 1
3	3200K filter	× 1
4	U-shape bracket	× 1
5	Power adapter	× 1
6	Power cable	× 1
7	User manual	× 1
8	Warranty card	× 1

### Front and rear view

Front view:



Rear view:



- 1.Lock catch for the diffuser
- 2.U-shape bracket
- 3.Gold mount/V-mount battery plate
- 4.Brightness dimming knob
- 5.Power switch
- 6.LCD touch screen
- 7.4-pin XLR socket
- 8.Fastening screw

### Operation instructions

1. Open the barn door, set up the U-shape bracket on the light stand or bracket, and then fasten it. Loosen the knobs on both sides of the U-shape bracket, and then fix the knobs after adjusting the lighting angle.
2. Power the light with the AC power adapter or corresponding battery, turn it on and then the light works.
3. The upper side of the LCD shows brightness. Press “↑”, “↓” or rotate brightness dimming knob to adjust the brightness from 10%-100%.
4. The bottom side of the LCD shows color temperature: 5600K.
5. The diffuser/filter can be removed from the groove in front of the LED by pressing button 1.