

SWIT®**CL-M100D Studio Panel LED Light**

Ver:A

USER MANUAL

SWIT Electronics Co.,Ltd.

Tel:+86-25-85805753
Fax:+86-25-85805296
http://www.swit.cc
E-mail: contact@swit.cc

Thank you for choosing SWIT products. Please read the instructions before using, and keep it for future reference.

Specification

Model	CL-M100D
LED QTY	576pcs
Color Temperature	2700K-6500K
Brightness	0%-100%
Illumination	3400 Lux@1m
Half Peak Beam Angle	About 62°
CRI	98
TLCI	99
SSI (D55)	73
Working Voltage	AC 100-240V,50/60Hz ; DC 11-17V
Output Power	≤130W
Dimension	See Fig.1、Fig.2、Fig.3
Weight	5.6Kg

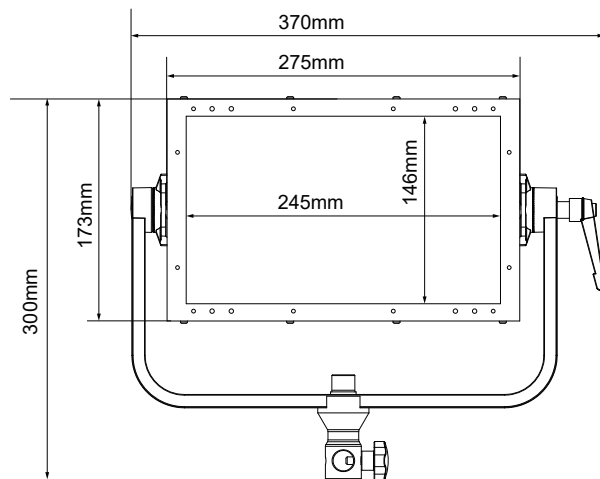


Fig.1 CL-M100D Front View

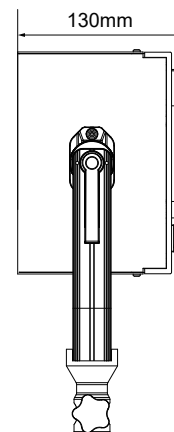


Fig.2 CL-M100D Side View

Warning

1. Do not disassemble the panel light or touch the interior with metal objects to avoid damage;
2. Do not store the panel light in dusty or wet environment to avoid damage;
3. USB interface is reserved interface, please use it according to the specified environment of the company's related products, not for other purposes, so as not to cause loss;
4. Do not connect the output device of the DMX signal in the panel light network when using the mutual control function of the panel light, otherwise the function can not be used normally;
5. Only use the light in the temperature range of -10°C-40°C.

Maintenance

1. Please use a soft dry cloth to clean the front panel of the product, or use a soft cloth dipped in a neutral detergent solution. Wipe with a soft, dry cloth.
2. Do not wipe the front panel with a wet cloth, anhydrous alcohol, gasoline, or the mixture of anhydrous alcohol and ether. Otherwise, the front panel may be damaged.

Overall Dimension

1.Front View:

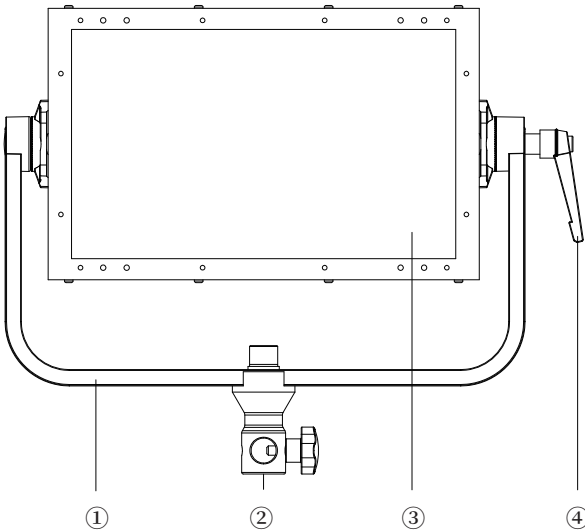


Fig.3 CL-M100D Front View

2.Back View

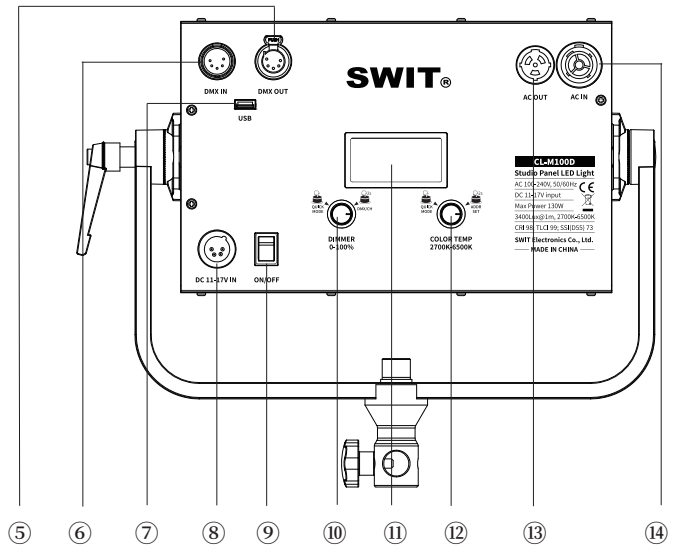


Fig.4 CL-M100D Back View

- | | | | |
|------------------|---------------|-----------------------------|----------|
| ① U-Bracket | ⑤ DMX OUT | ⑨ Power switch | ⑬ AC IN |
| ② York Connector | ⑥ DMX IN | ⑩ DIMMER djusting knob | ⑭ AC OUT |
| ③ Diffuser | ⑦ USB | ⑪ LCD | |
| ④ Fasten Knob | ⑧ DC 11-17 IN | ⑫ COLOR Temp adjusting knob | |

LCD Information

Take "CCT=5600K, Dimmer=100%, Full capacity, DMX Communication mode, DMX address "008" for example:

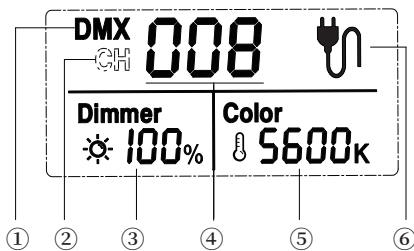


Fig.5 LCD Information

- ① Current Mode—DMX Mode
- ② Current Mode—Group Mode
- ③ Current Dimmer value
- ④ Current communication address
- ⑤ Current color value
- ⑥ Power indicator

Installation of safety rope

When lifting and using the lamps, please pass the safety rope (hereafter referred to as "safety rope") through the lamp wire hole and the round tube of the barn door according to the method shown in Fig. 6, so as to establish an effective connection between the product and the hanging devices such as hinges.

Precautions for use of safety rope are as follows:

- 1) If you use your own safety rope, please confirm that the load of the safety rope is greater than that of this product;
- 2) The safety rope cannot be dragged on the rough surface;
- 3) Please check carefully before using the safety rope, where the rope strand is broken or the number of broken wires in one twist distance exceeds 6, the safety rope shall not be used. Safety rope with obvious wear, corrosion, deformation and damage caused by heat or arc is not allowed to use;
- 4) The safety rope is strictly prohibited from contact with any charged body, hot object or flame;
- 5) The two safety rope buckles shall not be directly connected with each other, and D shackle in accordance with the load specifications must be added.

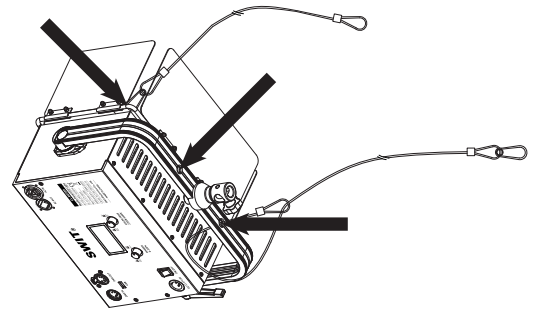


Fig.6 Installation diagram of safety rope

Usage

1. Installation

Mount the lamp head onto a light stand, then fix it in place by tightening the T-Handle on the mounting column. Then loosen /tighten the handbrake locking mechanism on the yoke to adjust the tilt of the fixture.

Tips: Please use with safety rope when lifting lamps. See "Safety Rope Assembly" for the assembly method of safety rope.

2. Power supply

This light support DC 11-17V (Polarity: Pin1"—"; Pin4"+")、AC 100-240V 50/60Hz two ways of power supply, loop out is supported when AC power is supplied, Maximum:20pcs .

3. Brightness/CCT setting and usage

This product supports two brightness/color temperature adjustment modes: normal adjustment mode, fast adjustment mode.Switch according to the brightness/color temperature adjustment knob (Figure 4 ⑩/ unkind) . Users can quickly set brightness and color temperature by combining these two adjustment modes according to their needs.

3.1 Normal adjustment mode

1) CCT

Range:2700K-6500K, adjustment steps:50K;

2) Brightness

Range:0%-100%, adjustment steps:1%.

3.2 Fast adjustment mode

1) CCT

In this mode,these CCT can be choose quickly:2700K、3200K, 4500K, 5600K, 6500K;

2) Brightness

Range:0%-100%, adjustment steps:10%.

4. Communication address setting and usage

Hold the brightness adjustment knob (As shown in Figure 4 ⑩) for about 2 seconds to enter the communication address setting interface. The communication address setting range is 001-512. The LCD (Figure 5 ④) blinks, indicating that the current position is selected. Rotate the brightness adjustment knob (Figure 4 ⑩) to set the current position and press the brightness adjustment Knob (Figure 4 ⑩) to determine the current bit Settings and enter the next bit Settings. When the last bit Settings are completed, press the brightness adjustment knob (Figure 4 ⑩) or wait for

about 5 seconds to exit the communication address Settings.

5. Communication control mode setting and usage

Connect the lamps through DMX, and press the color temperature adjustment knob (FIG. 4) for about 2s to complete the setting of the communication control mode of the lamps.

5.1 DMX Communication mode

"DMX" is displayed in the upper left corner of LCD (Fig. 5 ①), indicating that the current communication control mode supported by the lamp is DMX communication mode.In this mode, the DMX signal output device is connected to the lamp network, the communication address is set, and it can be used normally.

A lamp occupies a total of two DMX control channels, the current set DMX address (N) for brightness control, the current set value of the next address (N+1) for color temperature control

For example:

DMX communication address	DMX Control address	Function
005	005	Intensity 0%-100%
	006	Color temperature 2700K-6500K

5.2 Mutual mode

"CH" is displayed in the upper left corner of LCD (Figure 5 ②), indicating that the communication control mode currently supported by the lamp is mutual control mode.In this mode, the target lamps are set to the same communication address and can be used normally without distinguishing the master and slave machines.

Note: When using the mutual control function of lamps, do not access the OUTPUT device of DMX signal in the network of lamps, otherwise the function can not be used normally;

6. USB usage

The USB port is a reserved port. Please use it according to the environment specified by the company's related products. Otherwise, the USB port may not be used for other purposes.

Packing list

No.	Item	Engineering kit
1	CL-M100D	x 1
2	AC power cable	x 1
3	Safety rope	x 2
4	AC loop out cable (optional)	Client can purchase according to requirement