

SWIT®



Run
120
seconds
with
200W
High Load



V-mount Hot-Swap Plate



KA-S30S

Dual sides V-mount
Universal V-mount cameras compatible



Provides 15mm Rod Adaptor in the package for rig system install.



KA-R30S

ALEXA MINI / MINI LF use
ARRI original support system install



Matches with ARRI MINI / MINI LF support system by connection with RAB-1 Clamp 2 K2.0023406. (The clamp is not included)



KA-R31S

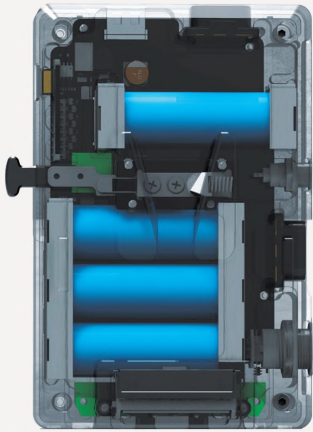
ALEXA MINI / MINI LF use
with SDI 1-2 distribution & isolater



Provides 15mm Rod Adaptor for old style ALEXA MINI system install.

Introduction

The hotswap plate series are the V-mount extended plates with battery cells inside. When you changing battery, the plate will take over the power supply until a new battery is mounted on. So you don't need to switch off the cameras with this hot-swap plate.



At least 2mins at 200W load

- The hotswap plates have 4 battery cells inside, 14.4V nominal voltage, 43Wh capacity, featured 200W constant high load output for cine cameras.
- The full capacity plate will ensure at least 2 minutes at 200W load even after 1000 cycle times.



120 seconds Countdown Display

- The hotswap plates provide an LCD screen to display countdown seconds when changing battery.
- When battery is removed, the screen will countdown from 120s. You just need to put on a new battery before it count down to zero. The new battery will charge the hotswap plate as well. You can see the countdown seconds will go back to 120 seconds after a period of time.

Specifications

Model	KA-S30S	KA-R30S	KA-R31S
Battery voltage	Li-ion cells, 14.4V nominal, 12-16.8V		
Battery capacity	43Wh, 3Ah		
Power load	200W/16A constant load		
Power input	12-16.8V V-mount batteries or 8-pin LEMO 12-16.8V power station		
Power output	12-16.8V V-mount, 200W/16A	12-16.8V 8-pin LEMO to ALEXA MINI / MINI LF, 200W/16A	
	12-16.8V D-tap x2, 125W/10A each, 200W/16A in total		
	12-16.8V 2-pin LEMO x1, 38W/3A		
	5V USB-A x1, 10W/2A		
SDI distribution	NO	NO	1x 3GSDI IN; 2x 3GSDI OUT With SDI isolater to protect cameras
Working temperature	-20°C-50°C (Capacity and Max Load may decrease when operating below 0°)		
Dimensions	93x143x42mm	93x143x40mm	93x143x53mm
Netweight	691g	757g	875g

